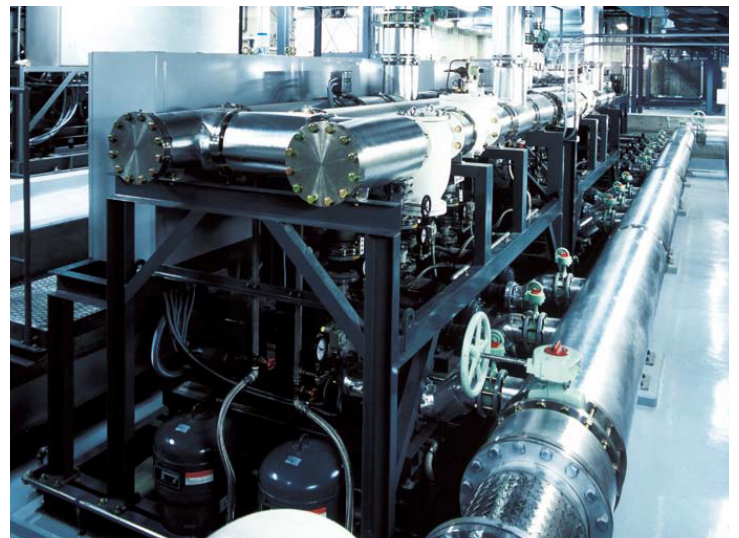


**TERAL**

**SH 2-Pole SH4 4-Pole**  
**End-Suction Centrifugal Pumps**

**50 Hz • 60 Hz**



*Since 1918 in Japan*



# SH4/SH End-Suction Centrifugal Pump (Back-pull-out Type)

## ■ Applications

- General water supply in dwelling houses, city buildings, etc.
- Circulation of cold and/or hot water
- Industrial use
- Water system
- Irrigation and sprinkler

## ■ Features

### ● Stout

Massive structure can stand against high positive suction pressure.

### ● Back-Pull-Out

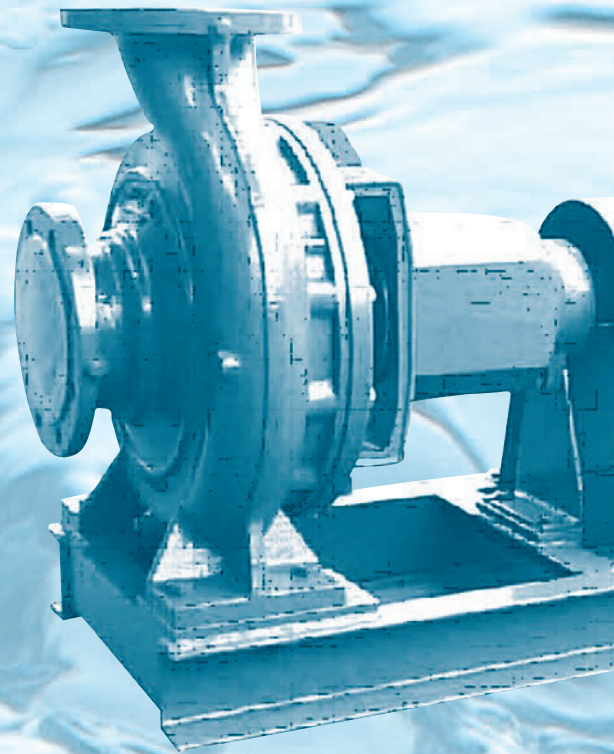
This back-pull-out construction ensures easy disassembling without removing suction and discharge pipes. So the maintenance is very easy.

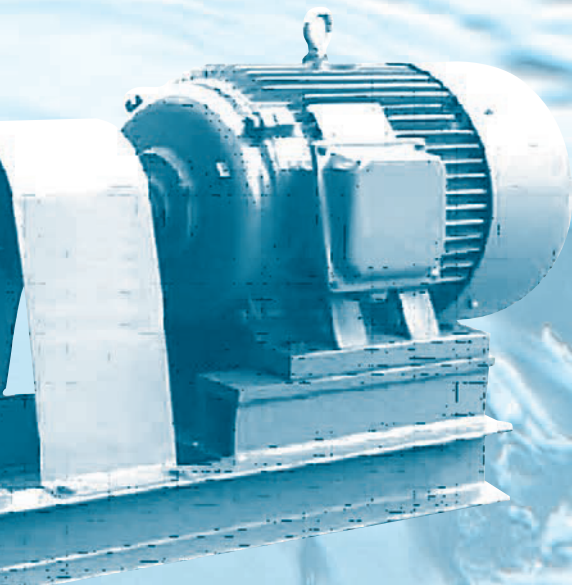
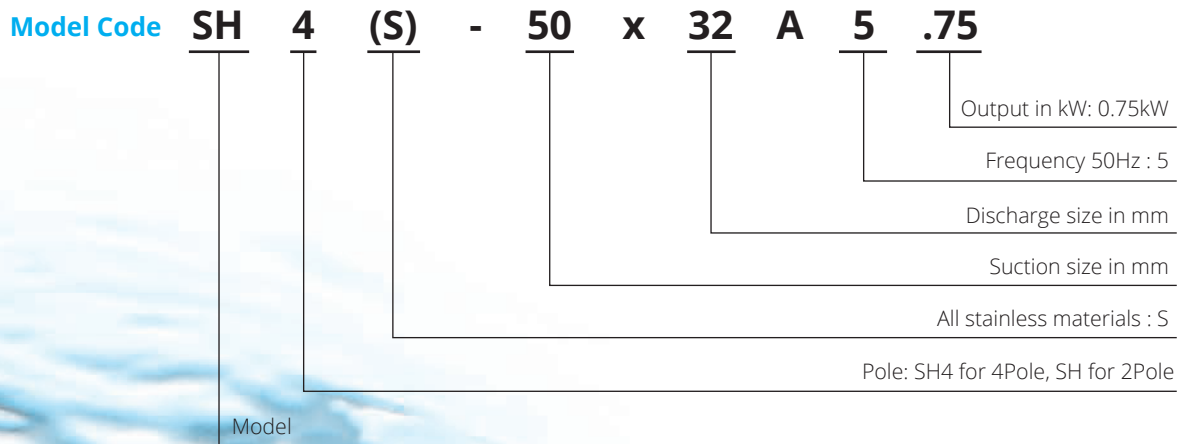
### ● Pump Performance

High total head with a single stage up to 160m

### ● Wide Specification

This model can be modified to such various specifications as high working pressure 16kgf/cm<sup>2</sup>

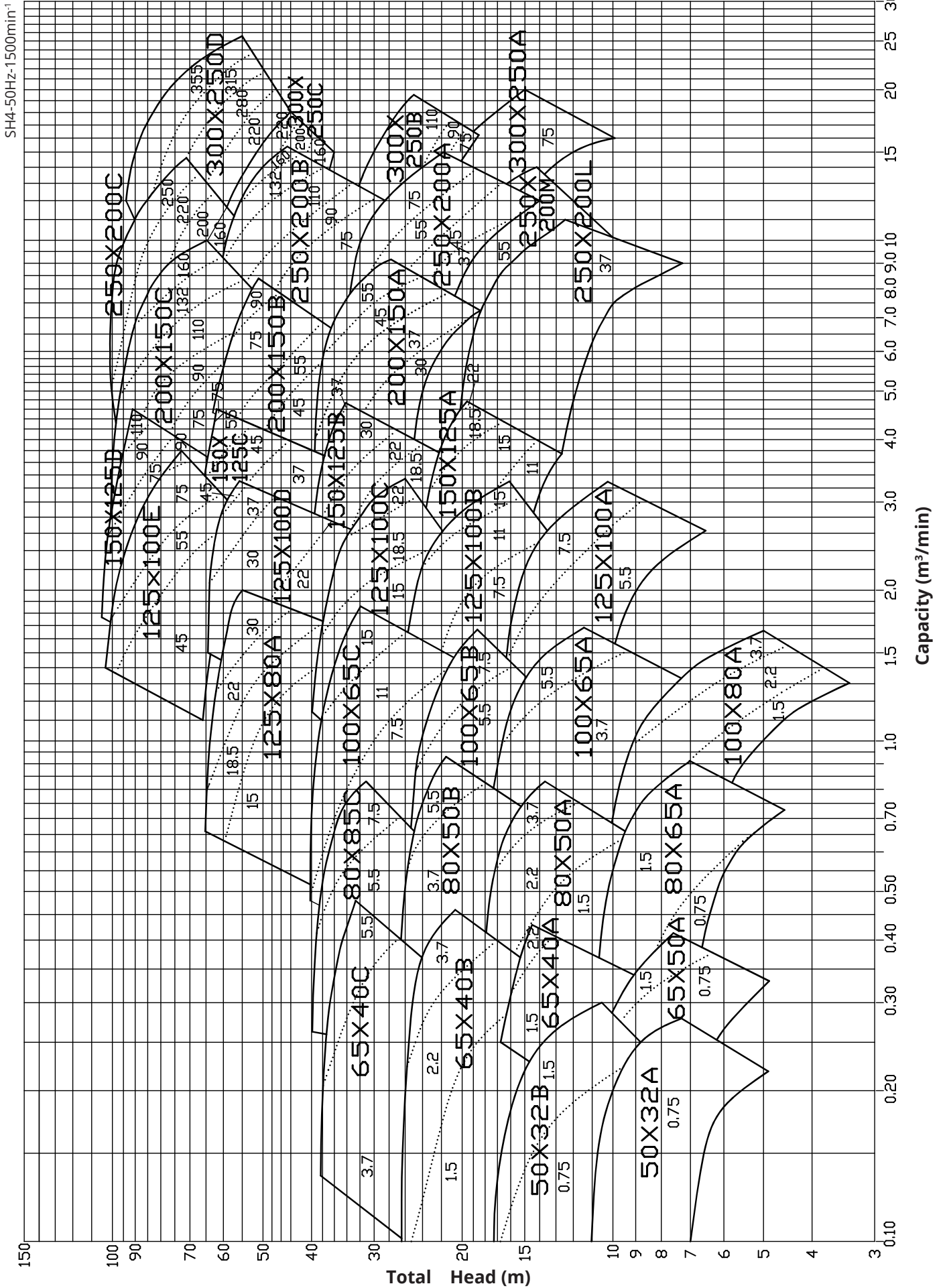




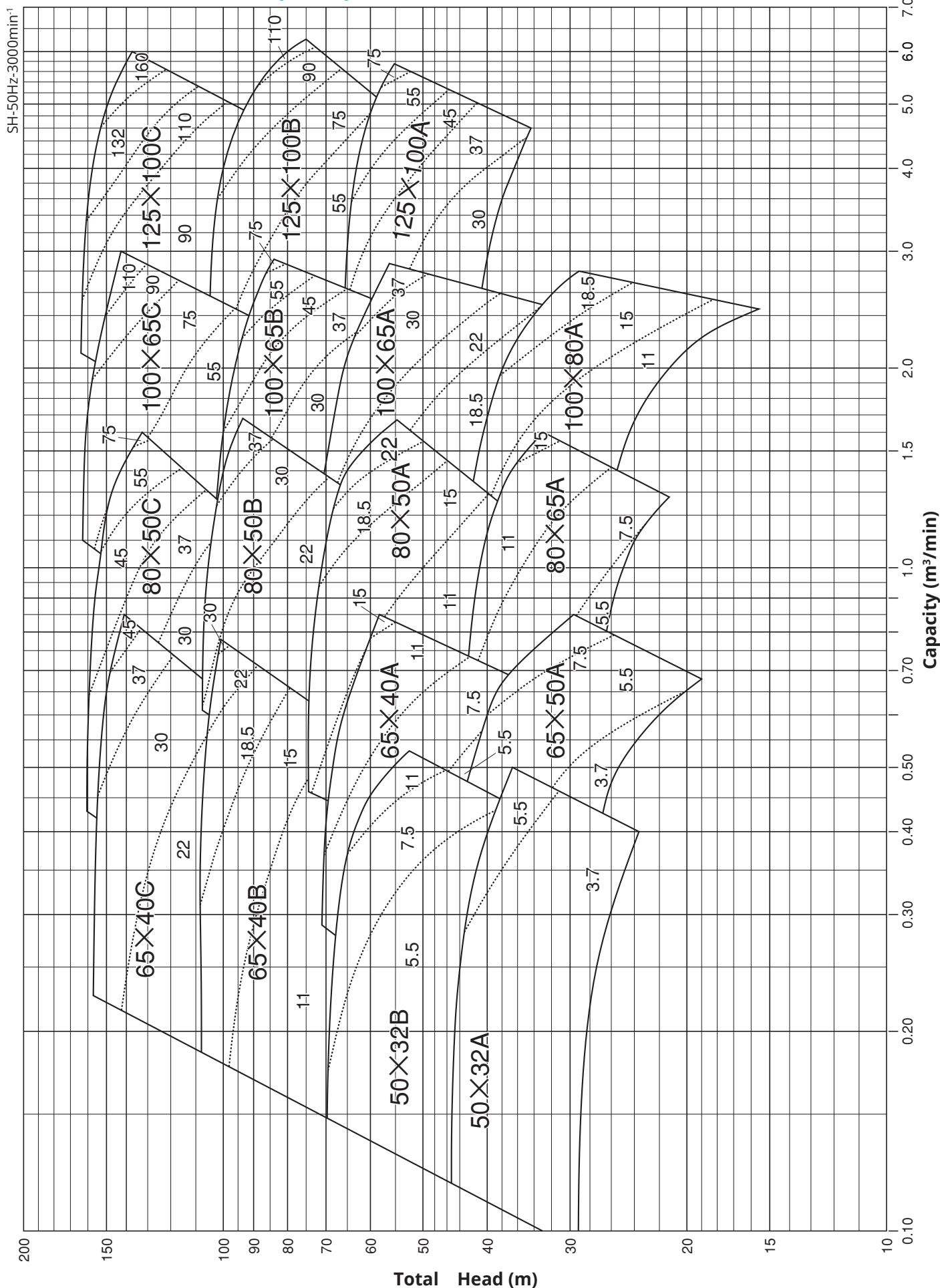
## Specifications

- **Liquid** : Fresh Water (-15°C~80°C) Option : up to 104°C
- **Re. NPSH** : See the individual charastric curve
- **Max suc. Press** : 16kgf/cm<sup>2</sup> -  $\frac{\text{shut off head}}{10}$
- **Max working Press** : 16kgf/cm<sup>2</sup>
- **Revolution** : 1500 (SH4) or 3000 (SH) min<sup>-1</sup> at 50Hz  
: 1800 (SH4) or 3600 (SH) min<sup>-1</sup> at 60Hz
- **Structure**
  - Impeller** : Closed
  - Shaft seal** : Mechanical seal
  - Bearing** : Closed ball bearing
- **Material**
  - Impeller** : Bronze (CAC406) Option : Stainless Steel Casting (SCS14)
  - Shaft** : Stainless steel (SUS420J1)
  - Casing** : Cast iron (FC250) Option : Stainless Steel Casting (SCS14)  
Ductile Cast Iron (FCD500)

## SH4 Selection charts (50Hz)

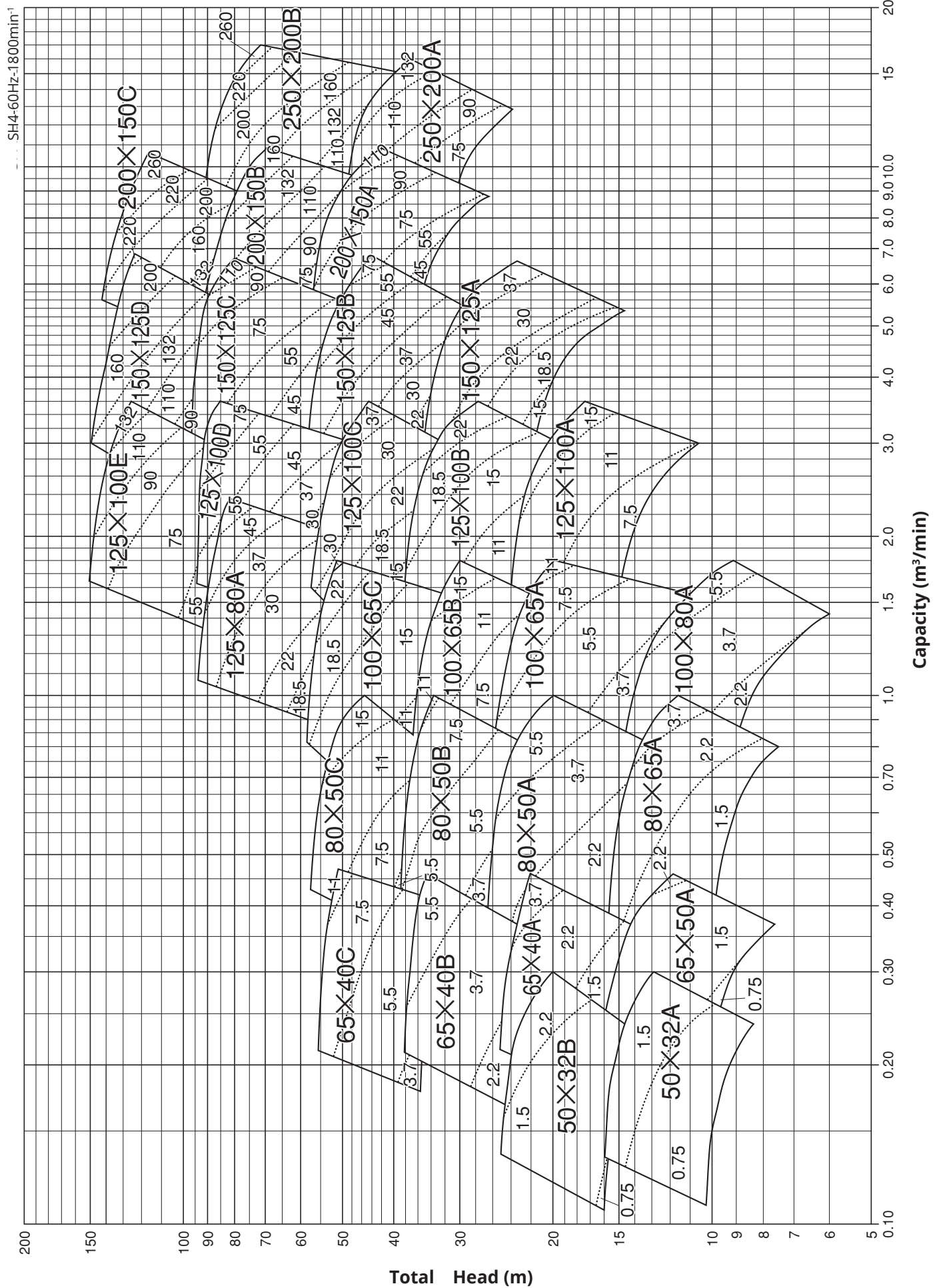


# SH Selection charts (50Hz)



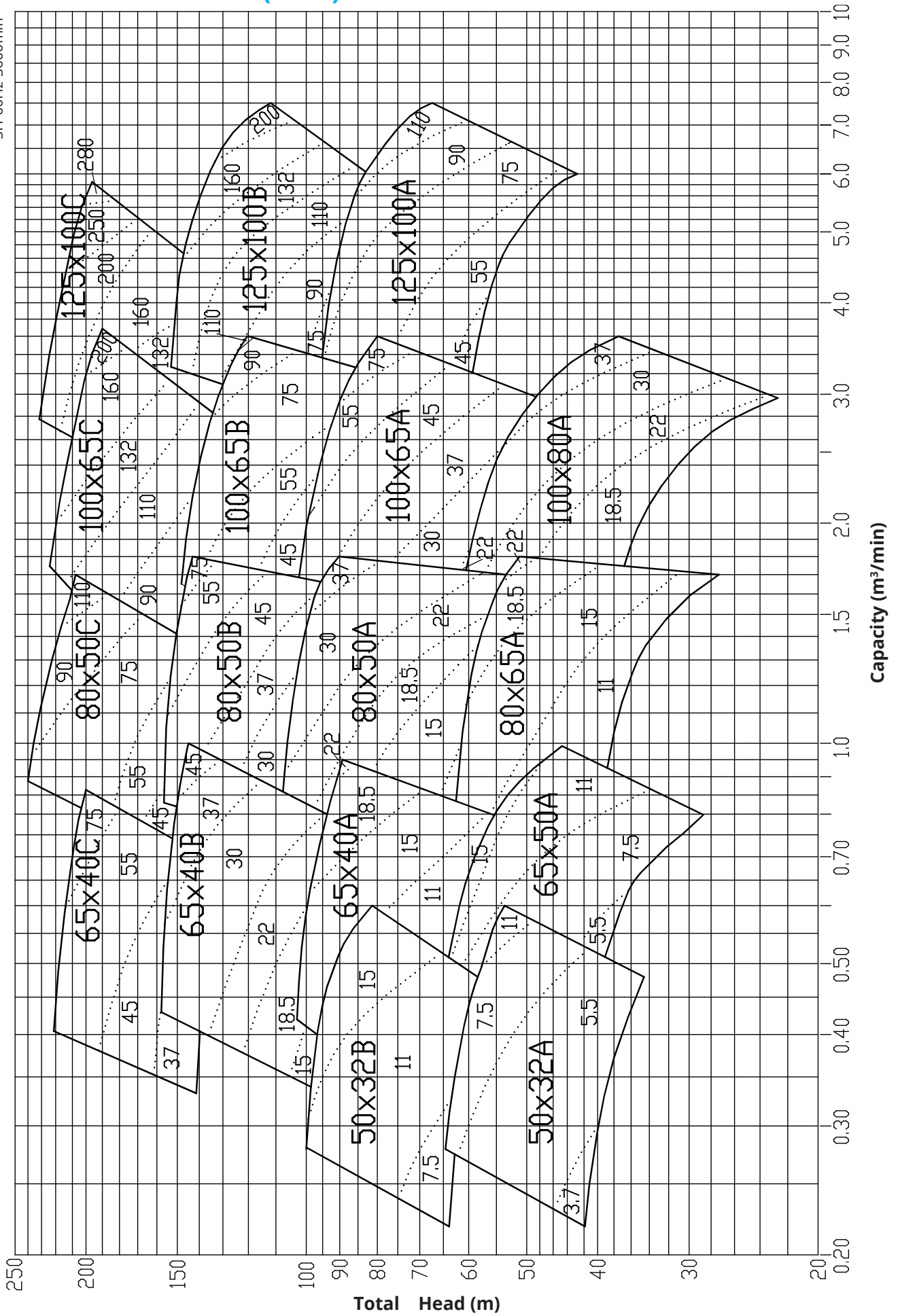


## SH4 Selection charts (60Hz)



# SH Selection charts (60Hz)

SH-60Hz-3600min<sup>-1</sup>



## SH4 Specification Table

Size		Pump Model	50Hz								60Hz								
Suc.	Dis.		Output (Kw)	m³/min x m	m³/min x m	m³/min x m	Mass (Kg)	Output (Kw)	m³/min x m	m³/min x m	m³/min x m	Mass (Kg)							
50	32	SH4-50X32A	0.75	0.11	11	0.2	10	0.23	9.2	79	0.75	0.12	11.3	0.2	10.2	0.26	8.3	79	
			1.5	0.1	11.9	0.17	10.7	0.2	9.5	87	1.5	0.16	15.4	0.23	14.4	0.3	12.2	89	
		SH4-50X32B	0.75	0.1	17.1	0.2	15.5	0.23	14.5	97	0.75	0.12	14.7	0.14	14.3			87	
			1.5	0.1	17.1	0.2	15.5	0.23	14.5	97	1.5	0.13	19.2	0.22	17.4	0.26	15	97	
65	50	SH4-65X50A	0.75	0.16	9.2	0.27	8	0.32	7.2	81	0.75	0.17	10.5	0.26	9.6	0.34	8.3	81	
			1.5	0.18	15.3	0.3	10	0.36	8.8	91	1.5	0.2	14.6	0.29	13.8	0.41	11.6	91	
		SH4-65X40A	2.2	0.22	16.1	0.32	15	0.43	12.7	100	2.2	0.22	16.1	0.32	15	0.43	12.7	100	
			1.5	0.17	15.6	0.28	14.6	0.34	13.9	100	1.5	0.17	15.2	0.26	14.7	0.34	13.8	100	
	40	SH4-65X40B	2.2	0.18	17.2	0.3	16	0.36	15.4	109	2.2	0.19	20	0.29	19.2	0.37	18	109	
			3.7	0.22	24.9	0.32	24	0.43	22.3	123	3.7	0.22	24.9	0.32	24	0.43	22.3	123	
		SH4-65X40C	1.5	0.14	16.3	0.23	15.8	0.29	15	125									
			2.2	0.16	21	0.27	20.5	0.32	19.5	135	3.7	0.19	30.5	0.32	29.4	0.39	28.3	149	
		SH4-65X40C	3.7	0.18	26	0.3	25	0.35	24.5	149	5.5	0.22	37.8	0.31	37.2	0.44	35.1	175	
			3.7	0.16	31.2	0.27	30.5	0.32	28.8	160	3.7	0.17	35.3	0.19	35	0.21	34.8	160	
			5.5	0.18	38	0.3	37	0.37	35.2	186	5.5	0.18	40.8	0.28	38.4	0.36	38.2	186	
												7.5	0.2	50.5	0.33	49.2	0.41	47.4	198
80	65	SH4-80X65A	0.75	0.26	6.6	0.47	5.8	0.6	4.8	96	1.5	0.38	10.8	0.55	10.2	0.77	8.3	106	
			1.5	0.34	10.8	0.6	9.8	0.74	8.8	106	2.2	0.42	13.9	0.6	13.2	0.83	11.5	116	
		SH4-80X50A	3.7	0.44	15.6	0.58	15	0.86	12.9	130	3.7	0.44	15.6	0.58	15	0.86	12.9	130	
			1.5	0.24	11.6	0.47	10	0.56	8.8	112	2.2	0.37	16.4	0.47	15.6	0.55	14.7	122	
	50	SH4-80X50B	2.2	0.34	14.4	0.53	13	0.64	11.6	122	3.7	0.41	20.8	0.67	18.5	0.82	15.6	136	
			3.7	0.36	17.9	0.6	16.5	0.73	14.8	136	5.5	0.43	26	0.71	24.6	0.94	20.8	162	
		SH4-80X50C	3.7	0.3	18.8	0.5	18.5	0.6	17.6	161	3.7	0.38	23.9	0.45	23.8	0.5	23.5	161	
			5.5	0.6	26.7	0.6	25	0.72	24.4	187	5.5	0.38	26.4	0.61	26.4	0.76	25.2	187	
		SH4-80X50C										7.5	0.41	34.2	0.67	33	0.83	31.4	200
												11	0.43	38.4	0.65	37.2	0.86	35.1	248
			5.5	0.29	32	0.53	29.5	0.64	27.2	203	5.5	0.37	35.8	0.48	34.6			203	
			7.5	0.34	39.6	0.6	37	0.74	37.6	216	7.5	0.38	40.8	0.59	38.4	0.77	33	216	
100	80	SH4-100X80A	1.5	0.6	7.4	1	6	1.2	4.8	133	2.2	0.6	9.4	1.04	7.8	1.32	6.3	142	
			2.2	0.66	9.4	1.1	7.8	1.35	6.4	142	3.7	0.78	13.6	1.3	11.4	1.62	9.5	157	
		SH4-100X65A	3.7	0.72	10.4	1.2	8.5	1.41	7.6	157	5.5	0.83	14.9	1.24	13.2	1.67	10.5	182	
			3.7	0.6	14	1.1	13	1.2	10.8	161	3.7	0.59	15.7	0.86	15	1.08	14.4	161	
	65	SH4-100X65B	5.5	0.7	15.2	2.3	16	1.4	13.9	186	5.5	0.65	18	1.01	18	1.39	14.7	186	
												7.5	0.76	22.8	1.26	21	1.56	18.9	199
		SH4-100X65C	11	0.82	25.5	1.22	24	1.64	21	247	11	0.82	25.5	1.22	24	1.64	21	247	
			5.5	0.63	21.2	1.1	19	1.3	17.6	199	7.5	0.66	26.9	1.08	25.2	1.42	22.3	211	
		SH4-100X65C	7.5	0.69	25.9	1.2	24	1.4	21.4	211	11	0.77	33.6	1.22	31.2	1.59	28.1	259	
												15	0.84	37	1.22	34.8	1.68	30.8	283
			7.5	0.57	25	0.9	22.5	1.14	21	253	11	0.6	36.4	0.92	35	1.08	33.6	300	
			11	0.63	31.7	1.1	28.5	1.26	27	300	15	0.65	40.4	1.12	38	1.4	35	324	
125	80	SH4-125X80A	15	0.72	40	1.2	36.5	1.4	32.6	398									
			18.5	0.76	45.5	1.3	41.5	1.5	38	447	22	0.87	59.4	1.08	58.5	1.22	57.6	447	
		SH4-125X100A	22	0.8	51.5	1.4	47	1.7	42	447	30	0.87	59.4	1.48	58.2	1.75	47.4	486	
			30	0.9	64.8	1.5	60	1.8	56.8	486	37	0.93	66.9	1.51	61.2	1.85	58.2	587	
	100	SH4-125X100B									45	1.03	84	1.73	78	2.08	72.6	587	
												55	1.09	92.4	1.51	90	2.18	80.4	694
		SH4-125X100C	5.5	1.1	13	2.1	11.5	2.5	9.7	226	7.5	1.44	16.7	2.3	14.4	3.28	9.6	239	
			7.5	1.4	16.3	2.3	14.5	2.8	12.4	239	11	1.6	21.4	2.3	19.8	3.13	16.5	287	
		SH4-125X100D										15	1.67	23.6	2.45	22.2	3.31	19	311
			7.5	1.1	18.8	2	16.5	2.3	14.4	283	11	1.33	24	2.02	21.6	2.66	17.5	332	
			11	1.3	23.5	2.2	21	2.6	18.4	332	15	1.48	30.7	2.59	28.8	2.97	23.8	357	
			15	1.4	26	2.3	24	2.8	20.8	357	18.5	1.57	34.1	2.52	31.2	3.13	27.1	406	
125	SH4-125X100C									22	1.66	37.7	2.88	33.6	3.31	30.7	406		
		11	1.3	24.8	1.9	22	2.2	19.2	341	15	1.35	36.2	2.02	33.6			366		
	SH4-125X100D	15	1.5	28	2	26	2.3	23.2	366	18.5	1.35	36.2	2.23	32.4	2.7	28.2	415		
		18.5	1.4	32	2.1	30	2.5	27.2	415	22	1.43	41.4	2.45	37.2	2.85	34.1	415		
	SH4-125X100D	22	1.3	36	2.2	34	2.7	30.4	415	30	1.58	52.2	2.3	50.4	3.18	45.6	453		
											37	1.67	58.1	2.66	55.2	3.34	21.12	554	
		22	1.1	41	1.9	37	2.3	34	463	30	1.34	59.4	2.1	57	2.6	54	501		
		30	1.3	52.7	2.1	48	2.5	46	501	37	1.43	67.2	2.4	63			604		
SH4-125X100D	37	1.32	59	2.2	56	2.7	52	604	45	1.5	75.2	2.02	73.8	2.34	72	604			
	45	1.4	66	2.3	62	2.8	60	604	55	1.58	84	2.1	82.5	2.66	79.5	709			
										75	1.67	93	2.45	90	3.38	84	873		





## SH Specification Table

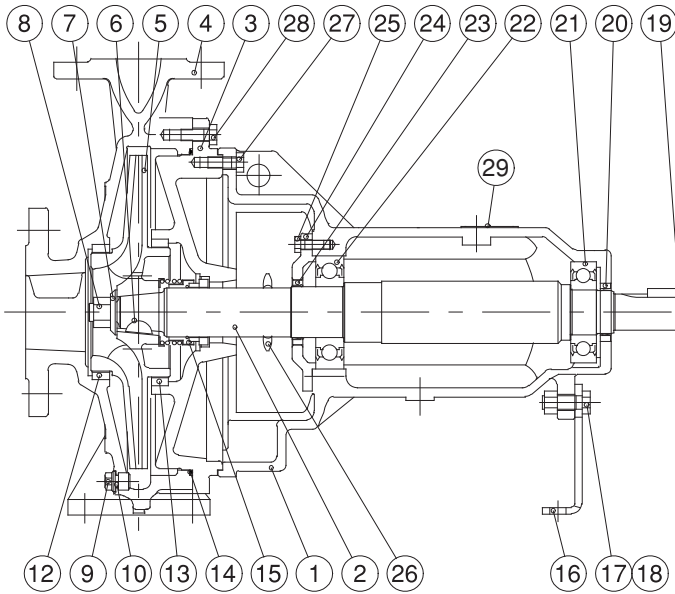
Size		Pump Model	50Hz								60Hz									
Suc.	Dis.		Output (Kw)	m <sup>3</sup> /min x m			m <sup>3</sup> /min x m		m <sup>3</sup> /min x m		Mass. (Kg)	Output (Kw)	m <sup>3</sup> /min x m			m <sup>3</sup> /min x m		Mass. (Kg)		
50	32	SH-50X32A	3.7	0.2	40.5	0.37	36	0.4	34	108	3.7	0.22	41.2	0.28	40	0.3	38.8	108		
			5.5	0.2	44.5	0.4	40	0.4	38	133	5.5	0.25	46.4	0.36	42	0.44	35.6	133		
												7.5	0.27	58	0.43	50	0.49	44.3	134	
												11	0.29	64	0.42	58	0.52	49	192	
		SH-50X32B	5.5	0.2	49	0.3	44	0.4	38	141										
			7.5	0.2	55	0.34	50	0.41	45	142	7.5	0.22	65.2	0.3	64	0.35	62	142		
11	0.22		69.3	0.38	65	0.45	59	200	11	0.23	74	0.33	72	0.44	66	200				
65	50	SH-65X50A	3.7	0.26	28.8	0.47	25	0.55	22.2	110	5.5	0.36	41.6	0.48	39.6			135		
			5.5	0.31	36.8	0.53	33	0.64	29	135	7.5	0.37	47	0.6	42	0.72	37.6	136		
			7.5	0.36	44.8	0.6	40	0.72	36	136	11	0.41	58.8	0.62	54	0.82	46	194		
												15	0.43	65	0.65	60	0.86	50.8	194	
	40	SH-65X40A	5.5	0.28	45	0.47	42	0.56	38	143										
			7.5	0.32	50	0.5	47	0.6	43.3	144	11	0.34	63.6	0.53	61.5	0.62	59.4	202		
			11	0.34	63.1	0.57	60	0.67	56	202	15	0.35	72.6	0.54	70.5	0.67	66.6	202		
			15	0.36	70	0.6	66	0.72	61.1	203	18.5	0.4	90.6	0.65	87	0.77	82.2	225		
		SH-65X40B										22	0.38	100.2	0.62	97.5	0.84	90	277	
			11	0.29	67	0.47	63	0.58	60	226	15	0.3	97	0.33	96.5			227		
			15	0.3	76	0.5	73	0.59	70	227	18.5	0.3	97.2	0.48	94.5	0.5	92.9	253		
			18.5	0.31	85	0.53	82	0.66	78	253	22	0.32	109.2	0.48	106.5	0.6	102	307		
SH-65X40C	22	0.34	95.3	0.57	92	0.67	89	307	30	0.34	123	0.5	120	0.64	115.2	350				
	30	0.36	105.8	0.6	100	0.74	96	350	37	0.36	136.8	0.5	135	0.67	128.8	444				
										45	0.38	152.4	0.53	150	0.72	141.3	444			
	22	0.29	98	0.47	94	0.54	92	315	37	0.34	141.6	0.55	135	0.67	129	454				
SH-80X65A	30	0.31	111	0.5	106	0.58	104	360	45	0.36	159.6	0.5	156	0.72	145.2	454				
	37	0.34	141.3	0.57	136	0.67	132	454	55	0.38	199.2	0.61	192	0.83	180	675				
	45	0.36	156	0.6	152	0.71	148	454	75	0.41	220.8	0.58	216	0.86	199.2	715				
80	65	SH-80X50A	5.5	0.56	27	0.47	24	1.2	20	150										
			7.5	0.57	30.7	1	28	1.26	24	151	11	0.66	40.2	1.04	37.5	1.34	33.6	211		
			11	0.66	38.8	1.12	36	1.4	32	211	15	0.75	51	1.12	48	1.51	42.1	211		
			15	0.69	43.3	1.16	40	1.41	36	211	18.5	0.85	62.7	1.3	58.5	1.58	54	235		
	50	SH-80X50B										22	0.85	62.7	1.3	58.5	1.7	52.2	287	
			11	0.56	45	0.94	41	0.93	38.1	217										
			15	0.6	51.3	0.84	48	1.02	44	218	15	0.67	64.2	0.76	66	1	63	218		
			18.5	0.65	65	1.1	62	1.17	56	245	18.5	0.67	64.2	0.76	66	1.33	55.5	245		
			22	0.69	73	1.2	68	1.29	62	297	22	0.72	76.2	1.1	72	1.44	62.4	297		
												30	0.81	95.4	1.2	90	1.62	78	328	
		SH-80X50C											37	0.83	105	1.26	99	1.7	85.8	421
			22	0.6	77.8	1	75	1.2	72	320	30	0.67	99.6	1.1	94.5	1.34	87.6	352		
			30	0.62	86.9	1.1	83	1.3	80	352	37	0.7	111.3	1.13	105	1.4	96	446		
			37	0.67	96.7	1.11	92	1.32	90	446	45	0.76	126.6	1.2	120	1.5	109.2	446		
												55	0.79	139.5	1.25	132	1.59	120	555	
												75	0.85	155.4	1.32	147	1.7	135	731	
			30	0.54	101	0.94	94	1.1	84	367	45	0.67	148.8	0.83	147	1.04	142.8	461		
			37	0.6	114	1	107	1.2	100	461	55	0.67	148.8	1.21	138	1.35	133.8	570		
45	0.63	129	1.1	121	1.23	112	461	75	0.77	187.2	1.17	180	1.51	168	746					
55	0.66	144	1.1	135	1.32	128	570	90	0.83	207.6	1.08	204	1.6	188.4	900					
75	0.69	157	1.2	150	1.43	140	746	110	0.89	240.4	1.3	222	1.7	208.2	985					

## SH Specification Table

Size		Pump Model	50Hz							60Hz									
Suc.	Dis.		Output (Kw)	m <sup>3</sup> /min x m		m <sup>3</sup> /min x m		m <sup>3</sup> /min x m		Mass. (Kg)	Output (Kw)	m <sup>3</sup> /min x m		m <sup>3</sup> /min x m		m <sup>3</sup> /min x m		Mass. (Kg)	
100	80	SH-100X80A	11	1.1	30	2	24	2.4	20	236									
			15	1.2	38	2.2	31	2.6	27	236	18.5	1.32	39.2	1.62	38				261
			18.5	1.3	42	2.3	35	2.8	30	261	22	1.32	39.2	1.98	36	2.28	33.2	312	
												30	1.48	49.4	2.16	46	2.52	42.4	343
												37	1.66	60.8	2.2	56	2.78	52.4	436
	65	SH-100X65A	18.5	1.14	44.7	1.86	39	2.3	34	266									
			22	1.2	50.7	2	45.5	2.4	40	320	30	1.33	63.9	1.8	59.7				351
			30	1.3	63.3	2.2	58.5	2.7	52	351	37	1.33	63.9	2.02	57	2.63	45	444	
			37	1.4	71	2.3	65	2.8	58	444	45	1.41	72.6	2.09	65.9	2.76	52.8	444	
												55	1.58	90.6	2.41	81	2.95	69.6	553
											75	1.66	100.2	2.3	93	3.05	78	729	
		SH-100X65B	30	1.1	67.3	1.86	59	2.2	56	360									
			37	1.2	76	2	69	2.3	64	455	45	1.34	95.4	1.66	94.5	1.9	92.7	455	
			45	1.3	85	2.1	77	2.4	72	455	55	1.41	108	1.8	106.5	2.23	102.6	565	
			55	1.32	95	2.2	87	2.6	82	565	75	1.48	121.2	2.2	117	2.74	109.8	741	
			75	1.4	105	2.3	98	2.8	91.8	741	90	1.58	135.3	2.45	114	2.88	122.4	831	
											110	1.7	150	2.52	144	3.05	135.3	1010	
		SH-100X65C	55	1.11	100	1.86	92	2.16	84	603	110	1.43	162	2.34	150	2.85	140.4	1038	
			75	1.26	125	2.1	118	2.52	116	782	132	1.53	181.2	2.3	171	3.06	156	1170	
			90	1.32	141.2	2.2	137	2.61	124	874	160	1.64	201.6	2.66	186	3.27	172.8	1340	
110	1.38		159	2.3	146	2.76	142	1048	200	1.76	223.2	2.59	210	3.48	190.2	1440			
125	100	SH-125X100A	30	1.9	40	3.7	33	4.4	28	388	45	2.16	60	3.1	58.5	3.46	57.6	460	
			37	2.3	44.8	4	39	4.6	34	460	55	2.33	69.3	3.31	67.5	3.89	65.4	570	
			45	2.5	51	4.2	45	4.9	40	460	75	2.39	77.4	3.46	75	4.26	71.4	746	
			55	2.6	58.5	4.4	52	5.2	45	570	90	2.68	83.8	4.03	81	4.61	77.4	836	
			75	2.8	65.5	4.7	58	5.6	52	746	110	2.88	93	4.18	90	4.98	84.5	1012	
	SH-125X100B	55	2.2	65.8	3.7	57	4.4	48	613	75	2.23	97.2	2.52	96	3.16	93	792		
		75	2.5	86	4.2	76	5.1	64	792	90	2.23	97.2	3.6	90	4.1	86.4	882		
		90	2.6	95.5	4.4	85.5	5.3	74	882	110	3.36	109.8	3.74	102	4.46	96	1058		
		110	2.8	105.3	4.7	95	5.8	80	1058	132	2.51	123.6	4.03	114	4.81	106.8	1119		
											160	2.65	138	4.18	126	5.18	117.6	1349	
										200	2.79	152.4	4.18	144	5.62	129.6	1462		
	SH-125X100C	90	2.2	102	3.7	92	4.4	80	891										
		110	2.4	116	4	106	4.7	94	1067	132	2.3	150	3.3	144	4.18	141	1118		
		132	2.5	130.7	4.2	120	5	108	1128	160	2.4	170.4	3.6	162	4.75	147	1348		
		160	2.8	161.3	5.5	140	6	135	1358	200	2.6	190.8	3.9	180.5	5.2	161	1485		
										250	2.7	212.4	4.3	198	5.5	178.8	2055		
									280	2.9	234	4.8	216	5.8	196.8	2060			



## Sectional View

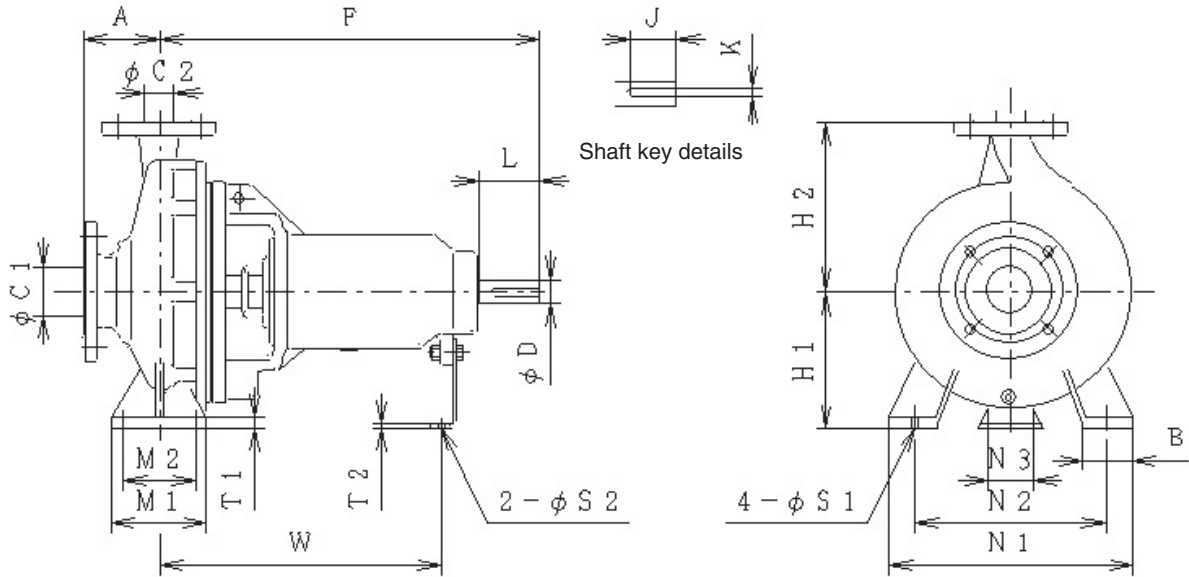


No	Parts Discription	Qty	Materials
1	Bearing case	1	FC200(Cast Iron)
2	Shaft	1	SUS420J1(Stainless Steel)
3	Casing cover	1	FC250(Cast Iron)
4	Casing	1	FC250(Cast Iron)
5	Impeller	1	CAC406(Bronze)
6	Impeller key	1	SUS304(Stainless Steel)
7	Impeller washer	1	SUS316(Stainless Steel)
8	Impeller nut	1	SUS304(Stainless Steel)
9	Drain plug	1	SS400
10	Plug gasket	1	NBR
12	Wear ring	1	CAC406(Bronze)
13	Wear ring	1	CAC406(Bronze)
14	O ring	1	NBR
15	Mechanical seal	1	Carbon/Ceramic
16	Supporter	1	SS400 (Steel)
17	Bolt		SS400 (Steel)
18	Nut		SS400 (Steel)
19	Coupling key	1	S45C (Steel)
20	Oil seal	1	
21	Bearing	1	SUJ2
22	Bearing	1	SUJ2
23	Oil seal	1	
24	Bearing cover	1	FC200(Cast Iron)
25	Bolt		SS400(Steel)
26	Deflector	1	NBR
27	Bolt		SS400(Steel)
28	Bolt		SS400(Steel)
29	Nameplate	1	

## Design Detail

Pump Model		Bearing		Dimension at coupling		Mechanical seal	O Ring
4 pole	2 pole	Coupling side	Impeller side	Diameter D	Key size K x J		
SH4-50X32A	SH-50X32A	6306ZZ	6307ZZ	24	8 x 32	T2100 / 0320	ø180 x 3.55mm
SH4-50X32B	SH-50X32B	6306ZZ	6307ZZ	24	8 x 32	T2100 / 0320	ø230 x 3.55mm
SH4-65X50A	SH-65X50A	6306ZZ	6307ZZ	24	8 x 32	T2100 / 0320	ø180 x 3.55mm
SH4-65X40A	SH-65X40A	6306ZZ	6307ZZ	24	8 x 32	T2100 / 0320	ø230 x 3.55mm
SH4-65X40B	SH-65X40B	6308ZZ	6309ZZ	32	10 x 50	T2100 / 0430	ø275 x 3.55mm
SH4-65X40C	SH-65X40C	6308ZZ	6309ZZ	32	10 x 50	T2100 / 0430	ø340 x 3.55mm
SH4-80X65A	SH-80X65A	6306ZZ	6307ZZ	24	8 x 32	T2100 / 0320	ø180 x 3.55mm
SH4-80X50A	SH-80X50A	6306ZZ	6307ZZ	24	8 x 32	T2100 / 0320	ø230 x 3.55mm
SH4-80X50B	SH-80X50B	6308ZZ	6309ZZ	32	10 x 50	T2100 / 0430	ø275 x 3.55mm
SH4-80X50C	SH-80X50C	6308ZZ	6309ZZ	32	10 x 50	T2100 / 0430	ø340 x 3.55mm
SH4-100X80A	SH-100X80A	6308ZZ	6309ZZ	32	10 x 50	T2100 / 0430	ø230 x 3.55mm
SH4-100X65A	SH-100X65A	6308ZZ	6309ZZ	32	10 x 50	T2100 / 0430	ø230 x 3.55mm
SH4-100X65B	SH-100X65B	6308ZZ	6309ZZ	32	10 x 50	T2100 / 0430	ø275 x 3.55mm
SH4-100X65C	SH-100X65C	6310ZZ	6311ZZ	42	12 x 80	T2100 / 0530	ø340 x 3.55mm
SH4-125X80A		6310ZZ	6311ZZ	42	12 x 80	T2100 / 0530	ø437 x 3.55mm
SH4-125X100A	SH-125X100A	6308ZZ	6309ZZ	32	10 x 50	T2100 / 0430	ø230 x 3.55mm
SH4-125X100B	SH-125X100B	6310ZZ	6311ZZ	42	12 x 80	T2100 / 0530	ø340 x 3.55mm
SH4-125X100C	SH-125X100C	6310ZZ	6311ZZ	42	12 x 80	T2100 / 0530	ø340 x 3.55mm
SH4-125X100D		6310ZZ	6311ZZ	42	12 x 80	T2100 / 0530	ø437 x 3.55mm
SH4-125X100E		6313ZZ	6313ZZ	48	14 x 80	T2100 / 0600	ø530 x 7.00mm
SH4-150X125A		6310ZZ	6311ZZ	42	12 x 80	T2100 / 0530	ø340 x 3.55mm
SH4-150X125B		6310ZZ	6311ZZ	42	12 x 80	T2100 / 0530	ø340 x 3.55mm
SH4-150X125C		6310ZZ	6311ZZ	42	12 x 80	T2100 / 0530	ø437 x 3.55mm
SH4-150X125D		6313ZZ	6313ZZ	48	14 x 80	T2100 / 0600	ø530 x 7.00mm
SH4-200X150A		6313ZZ	6313ZZ	48	14 x 80	T2100 / 0600	ø335 x 7.00mm
SH4-200X150B		6313ZZ	6313ZZ	48	14 x 80	T2100 / 0600	ø437 x 7.00mm
SH4-200X150C		6313ZZ	6313ZZ	48	14 x 80	T2100 / 0600	ø530 x 7.00mm
SH4-250X200L		6313ZZ	6313ZZ	48	14 x 80	T2100 / 0600	ø335 x 7.00mm
SH4-250X200M		6316ZZ	6316ZZ	65	18 x 110	T2100 / 0750	ø335 x 7.00mm
SH4-250X200A		6313ZZ	6313ZZ	48	14 x 80	T2100 / 0600	ø335 x 7.00mm
SH4-250X200B		6313ZZ	6313ZZ	48	14 x 80	T2100 / 0600	ø437 x 7.00mm
SH4-250X200C		6316ZZ	6316ZZ	65	18 x 110	T2100 / 0750	ø530 x 7.00mm
SH4-300X250A		6316ZZ	6316ZZ	65	18 x 110	T2100 / 0750	ø335 x 7.00mm
SH4-300X250B		6313ZZ	6313ZZ	48	14 x 80	T2100 / 0600	ø335 x 7.00mm
SH4-300X250C		6316ZZ	6316ZZ	65	18 x 110	T2100 / 0750	ø437 x 7.00mm
SH4-300X250D		6316ZZ	6316ZZ	65	18 x 110	T2100 / 0750	ø530 x 7.00mm

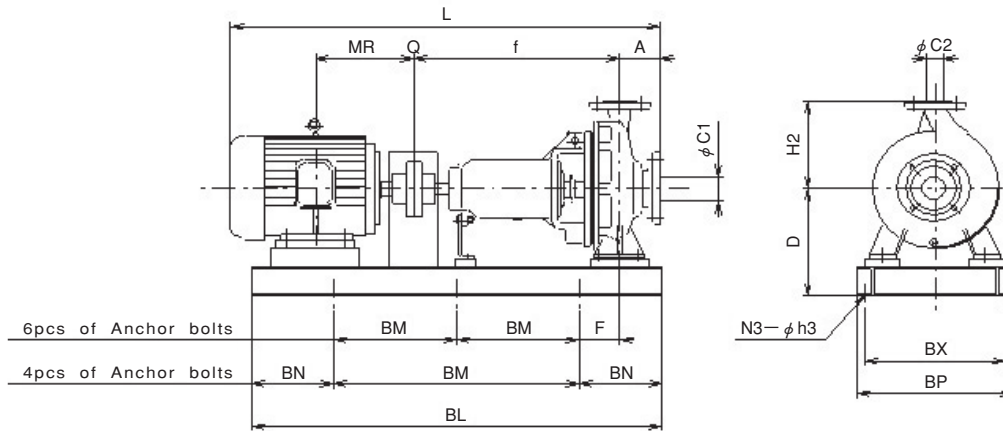
# Dimensions (Bare shaft Pump)



\*Key size are shown on "Design Detail"

Size		Pump Model		Dimensions																
øC1	øC2	4 pole	2 pole	A	B	D	F	H1	H2	L	M1	M2	N1	N2	N3	S1	S2	T1	T2	W
50	32	SH4-50X32A	SH-50X32A	80	50	24	385	132	160	50	100	70	240	190	110	15	15	12	6	285
		SH4-50X32B	SH-50X32B	80	50	24	385	160	180	50	100	70	240	190	110	15	15	12	6	285
65	40	SH4-65X40A	SH-65X40A	80	50	24	385	132	160	50	100	70	240	190	110	15	15	12	6	285
		SH4-65X40B	SH-65X40B	100	50	24	385	160	180	50	100	70	265	212	110	15	15	13	6	285
		SH4-65X40C	SH-65X40C	100	65	32	500	180	225	80	125	95	320	250	110	15	15	14	6	370
80	50	SH4-80X65A	SH-80X65A	100	50	24	385	160	180	50	100	70	265	212	110	15	15	13	6	285
		SH4-80X50A	SH-80X50A	100	50	24	385	160	200	50	100	70	265	212	110	15	15	13	6	285
		SH4-80X50B	SH-80X50B	125	65	32	500	180	225	80	125	95	320	250	110	15	15	15	6	370
100	65	SH4-100X80A	SH-100X80A	125	65	32	500	225	280	80	125	95	345	280	110	15	15	18	6	370
		SH4-100X65A	SH-100X65A	100	65	32	500	160	200	80	125	95	280	212	110	15	15	14	6	370
		SH4-100X65B	SH-100X65B	100	65	32	500	180	225	80	125	95	320	250	110	15	15	14	6	370
125	100	SH4-100X65C	SH-100X65C	125	80	42	530	225	280	110	160	120	400	315	110	19	15	18	6	370
		SH4-125X80A		125	80	42	530	280	355	110	160	120	435	355	110	19	15	20	6	370
		SH4-125X100A	SH-125X100A	125	80	32	500	200	280	80	160	120	360	280	110	19	15	17	6	370
		SH4-125X100B	SH-125X100B	140	80	42	530	225	280	110	160	120	400	315	110	19	15	18	6	370
		SH4-125X100C	SH-125X100C	140	80	42	530	250	315	110	160	120	400	315	110	19	15	19	6	370
150	125	SH4-125X100D		140	100	42	530	280	355	110	200	150	500	400	110	24	15	20	6	370
		SH4-125X100E		160	82	48	670	355	450	110	200	150	550	450	140	24	19	25	10	500
		SH4-150X125A		140	80	42	530	250	355	110	160	120	400	315	110	19	15	19	6	370
		SH4-150X125B		140	100	42	530	280	355	110	200	150	500	400	110	24	15	20	6	370
		SH4-150X125C		140	100	42	530	315	400	110	200	150	500	400	110	24	15	21	6	370
200	150	SH4-150X125D		160	100	48	670	355	450	110	200	150	550	450	140	24	19	25	10	500
		SH4-200X150A		160	100	48	670	315	400	110	200	150	550	450	140	24	19	25	10	500
		SH4-200X150B		160	100	48	670	315	450	110	200	150	550	450	140	24	19	25	10	500
250	200	SH4-200X150C		160	100	48	670	400	500	110	200	150	550	450	140	24	19	25	10	500
		SH4-250X200A		180	100	48	670	315	450	110	200	150	550	450	140	24	19	25	10	500
		SH4-250X200B		180	100	48	670	355	500	110	200	150	550	450	140	24	19	25	10	500
250	200	SH4-250X200L		180	100	48	670	315	450	110	200	150	550	450	140	24	19	22	10	500
		SH4-250X200M		180	100	65	885	315	450	140	200	150	550	450	180	24	19	25	12	670
		SH4-250X200A		180	100	48	670	315	450	110	200	150	550	450	140	24	19	25	10	500
		SH4-250X200B		180	100	48	670	355	500	110	200	150	550	450	140	24	19	25	10	500
		SH4-250X200C		225	150	65	885	400	580	140	315	250	760	630	180	28	19	28	12	670
300	250	SH4-300X250A		225	125	65	885	355	560	140	250	190	630	500	180	24	19	24	12	670
		SH4-300X250B		225	125	48	670	355	500	110	250	190	690	560	140	24	19	24	12	500
		SH4-300X250C		225	150	65	885	450	560	140	250	190	690	560	180	28	19	28	12	670
		SH4-300X250D		225	150	65	885	450	630	140	315	250	760	630	180	28	19	28	12	670

## Dimensions

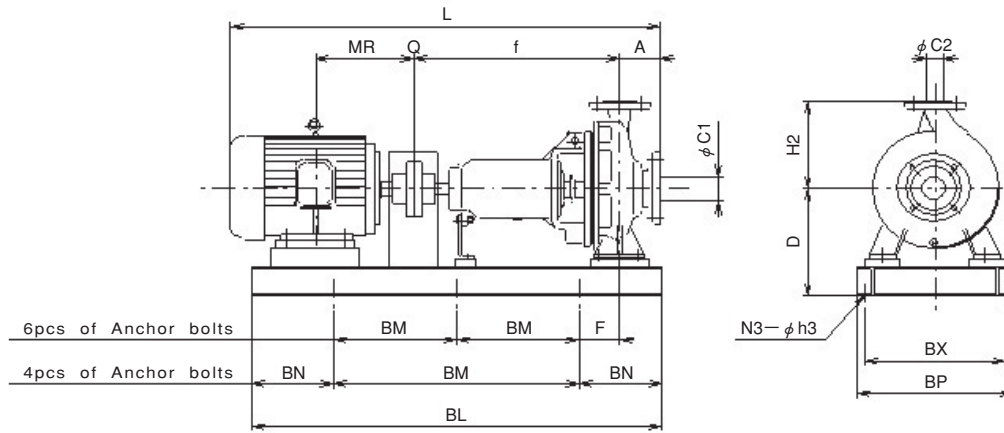


## SH4 Dimension Table

Size		Pump Model	Output (Kw)	Dimensions															
øC1	øC2			A	D	F	f	H2	L	Q	MR	BL	BM	BN	BP	BX	N3	h3	
50	32	SH4-50X32A	0.75	80	225	10	385	160	740	3	140	750	550	100	300	265	4	15	
			1.5	80	225	60	385	160	790	3	168.5	800	500	150	300	265	4	15	
		SH4-50X32B	0.75	80	255	10	385	180	740	3	140	750	550	100	300	265	4	15	
			1.5	80	255	60	385	180	790	3	168.5	800	500	150	300	265	4	15	
65	50	SH4-65X50A	0.75	80	225	60	385	160	740	3	140	750	550	100	300	265	4	15	
			1.5	80	225	60	385	180	790	3	168.5	800	500	150	300	300	4	15	
			2.2	80	225	60	385	160	831	3	193	850	550	150	300	265	4	15	
	40	SH4-65X40A	1.5	100	255	60	385	180	810	3	168.5	800	500	150	325	290	4	15	
			2.2	100	255	60	385	180	851	3	193	850	550	150	325	290	4	15	
			3.7	100	255	60	385	180	870	3	200	850	550	150	325	290	4	15	
		SH4-65X40B	1.5	100	275	47.5	500	225	925	3	168.5	950	650	150	380	345	4	15	
			2.2	100	275	47.5	500	225	966	3	193	950	650	150	380	345	4	15	
			3.7	100	275	47.5	500	225	985	3	200	950	650	150	380	345	4	15	
		SH4-65X40C	5.5	100	275	97.5	500	225	1049	3	239	1000	600	200	380	345	4	15	
			3.7	125	295	47.5	500	250	1010	3	200	950	650	150	405	370	4	15	
			5.5	125	295	87.5	500	250	1074	3	239	1000	600	200	405	370	4	15	
80	65	SH4-80X65A	0.75	100	280	10	385	180	760	3	140	750	550	100	325	285	4	19	
			1.5	100	280	60	385	180	810	3	168.5	800	500	150	325	285	4	19	
			2.2	100	280	60	385	180	851	3	193	850	550	150	325	285	4	19	
			3.7	100	280	60	385	180	870	3	200	850	550	150	325	285	4	19	
	50	SH4-80X50A	1.5	100	280	60	385	200	810	3	168.5	800	500	150	325	285	4	19	
			2.2	100	280	60	385	200	851	3	193	850	550	150	325	285	4	19	
			3.7	100	280	60	385	200	870	3	200	850	550	150	325	285	4	19	
			5.5	100	280	60	385	200	934	3	239	900	600	150	325	285	4	19	
		SH4-80X50B	3.7	125	300	47.5	500	225	1010	3	200	950	650	150	380	340	4	19	
			5.5	125	300	97.5	500	225	1074	3	239	1000	600	200	380	340	4	19	
			7.5	125	300	97.5	500	225	1112	3	258	1050	650	200	380	340	4	19	
			11	125	300	97.5	500	225	1232	3	323	1150	750	200	380	340	4	19	
	SH4-80X50C	5.5	125	345	97.5	500	280	1074	3	239	1000	600	200	405	365	4	19		
		7.5	125	345	97.5	500	280	1112	3	258	1050	650	200	405	365	4	19		
		11	125	345	97.5	500	280	1232	3	323	1150	750	200	405	365	4	19		
		15	125	345	97.5	500	280	1276	3	345	1200	800	200	405	365	4	19		
	100	80	SH4-100X80A	1.5	100	280	37.5	500	200	925	3	168.5	950	650	150	360	320	4	19
				2.2	100	280	37.5	500	200	966	3	193	950	650	150	360	320	4	19
3.7				100	280	87.5	500	200	985	3	200	1000	600	200	360	320	4	19	
5.5				100	280	87.5	500	200	1049	3	239	1000	600	200	360	320	4	19	
65		SH4-100X65A	3.7	100	300	87.5	500	225	985	3	200	1000	600	200	400	360	4	19	
			5.5	100	300	87.5	500	225	1049	3	239	1000	600	200	400	360	4	19	
			7.5	100	300	87.5	500	225	1087	3	258	1050	650	200	400	360	4	19	
			11	100	300	87.5	500	225	1207	3	323	1150	750	200	400	360	4	19	



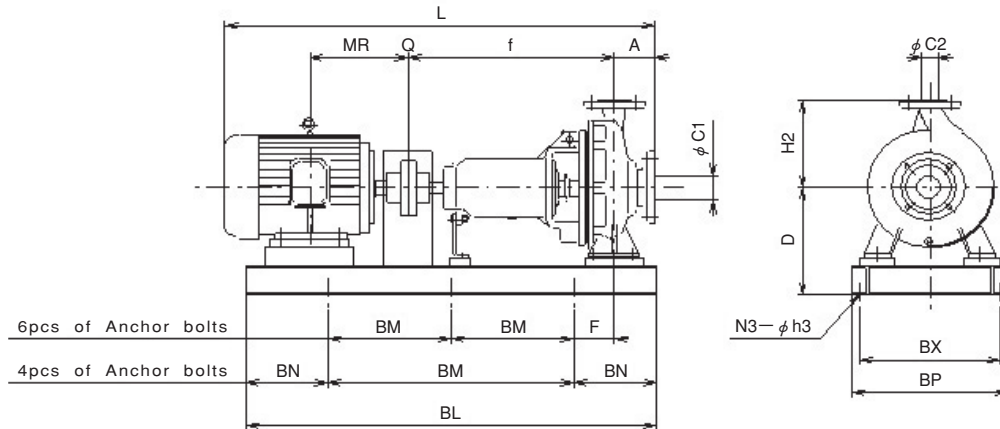
# Dimensions



## SH4 Dimension Table

Size		Pump Model	Output (Kw)	Dimensions															
øC1	øC2			A	D	F	f	H2	L	Q	MR	BL	BM	BN	BP	BX	N3	h3	
100	65	SH4-100X65B	5.5	125	320	70	500	250	1074	3	239	1050	650	200	440	400	4	19	
			7.5	125	320	70	500	250	1112	3	258	1050	650	200	440	400	4	19	
			11	125	320	70	500	250	1232	3	323	1150	750	200	440	400	4	19	
			15	125	320	70	500	250	1276	3	345	1200	800	200	440	400	4	19	
		SH4-100X65C	7.5	125	345	70	530	280	1142	3	258	1100	700	200	480	440	4	19	
			11	125	345	70	530	280	1262	3	323	1200	800	200	480	440	4	19	
			15	125	345	70	530	280	1306	3	345	1250	850	200	480	440	4	19	
			18.5	125	345	70	530	280	1325	3	351.5	1250	850	200	480	440	4	19	
125	80	SH4-125X80A	22	125	345	70	530	280	1325	3	351.5	1250	850	200	480	440	4	19	
			30	125	345	70	530	280	1364	3	370.5	1300	900	200	480	440	4	19	
			15	125	425	60	530	355	1306	3	345	1250	850	200	545	485	4	24	
			18.5	125	425	60	530	355	1325	3	351.5	1250	850	200	545	485	4	24	
			22	125	425	60	530	355	1325	3	351.5	1250	850	200	545	485	4	24	
			30	125	425	60	530	355	1364	3	370.5	1300	900	200	545	485	4	24	
		100	SH4-125X100A	37	125	425	85	530	355	1457	4	425.5	1350	900	225	545	485	4	24
				45	125	425	85	530	355	1457	4	425.5	1350	900	225	545	485	4	24
	55			125	450	85	530	355	1470	4	432	1350	900	225	600	530	4	28	
	5.5			125	345	60	500	280	1074	3	239	1050	650	200	470	410	4	24	
	SH4-125X100B		7.5	125	345	60	500	280	1112	3	258	1100	700	200	470	410	4	24	
			11	125	345	60	500	280	1232	3	323	1150	750	200	470	410	4	24	
			15	125	345	60	500	280	1276	3	345	1200	800	200	470	410	4	24	
			7.5	140	370	60	530	280	1157	3	258	1100	700	200	510	450	4	24	
			11	140	370	60	530	280	1277	3	323	1200	800	200	510	450	4	24	
			15	140	370	60	530	280	1321	3	345	1250	850	200	510	450	4	24	
			18.5	140	370	60	530	280	1340	3	351.5	1250	850	200	510	450	4	24	
			22	140	370	60	530	280	1340	3	351.5	1250	850	200	510	450	4	24	
	SH4-125X100C	11	140	395	60	530	315	1277	3	323	1200	600	200	510	450	4	24		
		15	140	395	60	530	315	1321	3	345	1250	650	200	510	450	4	24		
18.5		140	395	60	530	315	1340	3	351.5	1250	650	200	510	450	4	24			
22		140	395	60	530	315	1340	3	351.5	1250	650	200	510	450	4	24			
30		140	395	60	530	315	1379	4	370.5	1300	900	200	510	450	4	24			
37		140	395	85	530	315	1472	4	425.5	1350	900	225	510	450	4	24			
22		140	425	40	530	355	1340	3	351.5	1250	850	200	610	550	4	24			
30		140	425	40	530	355	1379	4	370.5	1300	900	200	610	550	4	24			
SH4-125X100D	37	140	425	90	530	355	1472	4	425.5	1400	900	250	610	550	4	24			
	45	140	425	90	530	355	1472	4	425.5	1400	900	250	610	550	4	24			
	55	140	450	90	530	355	1485	4	432	1400	900	250	630	560	4	28			
	75	140	450	90	530	355	1559	4	463.5	1450	950	250	630	560	4	28			
	90	140	450	90	530	355	1597	4	463.5	1450	950	250	630	560	4	28			
	45	160	500	115	670	450	1632	4	425.5	1500	950	275	660	600	4	24			
	55	160	525	115	670	450	1645	4	432	1500	950	275	680	610	4	28			
	75	160	525	115	670	450	1719	4	463.5	1550	1000	275	680	610	4	28			
SH4-125X100E	90	160	525	140	670	450	1757	4	463.5	1600	1000	300	680	610	4	28			
	110	160	525	65	670	450	2021	180	544	1850	700	225	710	640	6	28			
	132	160	525	90	670	450	2072	180	569.5	1900	700	250	710	640	6	28			

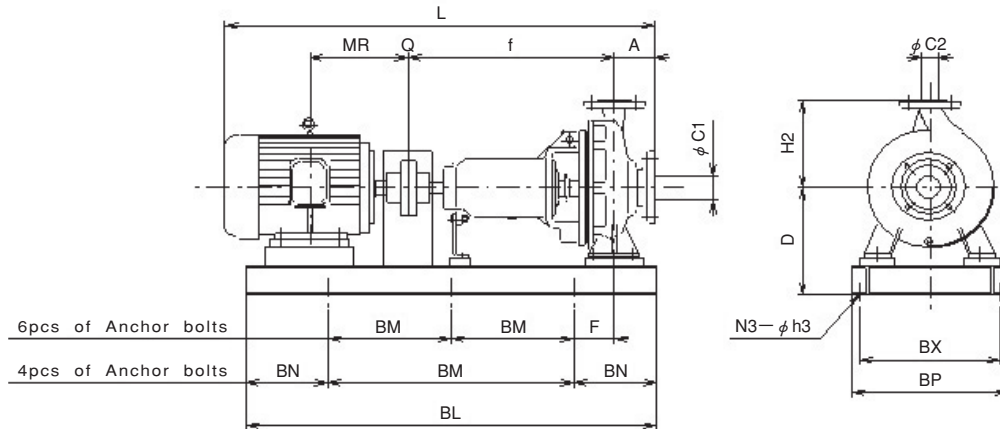
## Dimensions



## SH4 Dimension Table

Size		Pump Model	Output (Kw)	Dimensions															
φC1	φC2			A	D	F	f	H2	L	Q	MR	BL	BM	BN	BP	BX	N3	h3	
150	125	SH4-150X125A	11	140	420	45	530	355	1277	3	323	1200	800	200	530	460	4	28	
			15	140	420	45	530	355	1321	3	345	1250	850	200	530	460	4	28	
			18.5	140	420	45	530	355	1340	3	351.5	1250	850	200	530	460	4	28	
			22	140	420	45	530	355	1340	3	351.5	1250	850	200	530	460	4	28	
			30	140	420	45	530	355	1379	4	370.5	1300	900	200	530	460	4	28	
		37	140	420	70	530	355	1472	4	425.5	1350	900	225	530	460	4	28		
		18.5	140	450	25	530	355	1340	3	351.5	1300	900	200	630	560	4	28		
		22	140	450	25	530	355	1340	3	351.5	1300	900	200	630	560	4	28		
		30	140	450	25	530	355	1379	4	370.5	1300	900	200	630	560	4	28		
		37	140	450	75	530	355	1472	4	425.5	1400	900	250	630	560	4	28		
	45	140	450	75	530	355	1472	4	425.5	1400	900	250	630	560	4	28			
	55	140	450	75	530	355	1485	4	432	1400	900	250	630	560	4	28			
	75	140	450	75	530	355	1559	4	463.5	1450	950	250	630	560	4	28			
	37	140	485	75	530	400	1472	4	425.5	1400	900	250	630	560	4	28			
	45	140	485	75	530	400	1472	4	425.5	1400	900	250	630	560	4	28			
	55	140	485	75	530	400	1485	4	432	1400	900	250	630	560	4	28			
	75	140	485	75	530	400	1559	4	463.5	1450	950	250	630	560	4	28			
	90	140	485	75	530	400	1597	4	463.5	1450	950	250	630	560	4	28			
	110	140	485	0	530	400	1861	180	544	1750	700	175	710	640	6	28			
	75	160	525	125	670	450	1719	4	463.5	1600	1000	300	680	610	4	28			
90	160	525	125	670	450	1757	4	463.5	1600	1000	300	680	610	4	28				
110	160	525	50	670	450	2021	180	544	1850	700	225	710	640	6	28				
132	160	525	75	670	450	2072	180	569.5	1900	700	250	710	640	6	28				
160	160	575	50	670	450	2116	180	589	1850	750	225	795	715	6	28				
200	160	575	75	670	450	2167	180	614.5	2000	750	250	795	715	6	28				
220	160	575	100	670	450	2506	180	666	2150	800	275	830	750	6	28				
200	150	SH4-200X150A	30	160	535	75	670	400	1539	4	370.5	1450	950	250	710	630	4	28	
			37	160	535	100	670	400	1632	4	425.5	1550	1000	275	710	630	4	28	
			45	160	535	100	670	400	1632	4	425.5	1550	1000	275	710	630	4	28	
			55	160	535	100	670	400	1645	4	432	1550	1000	275	710	630	4	28	
			75	160	535	125	670	400	1718	4	463.5	1600	1000	300	710	630	4	28	
		90	160	535	125	670	400	1751	4	463.5	1600	1000	300	710	630	4	28		
		110	160	535	50	670	400	2021	180	544	1850	700	525	740	660	6	28		
		45	160	535	100	670	450	1632	4	425.5	1550	1000	275	710	630	4	28		
		55	160	535	100	670	450	1645	4	432	1550	1000	275	710	630	4	28		
		75	160	535	125	670	450	1719	4	463.5	1600	1000	300	710	630	4	28		
	90	160	535	125	670	450	1757	4	463.5	1600	1000	300	710	630	4	28			
	110	160	535	50	670	450	2021	180	544	1850	700	225	740	660	4	28			
	132	160	535	75	670	450	2072	180	569.5	1900	700	250	740	660	4	28			
	160	160	535	50	670	450	2116	180	589	1950	750	225	795	715	4	28			
	75	160	620	125	670	500	1719	4	463.5	1600	1000	300	710	630	4	28			
	90	160	620	125	670	500	1757	4	463.5	1600	1000	300	710	630	4	28			
	110	160	620	50	670	500	2021	180	544	1850	700	225	740	660	6	28			
	132	160	620	75	670	500	2072	180	569.5	1900	700	250	740	660	6	28			
	160	160	620	50	670	500	2116	180	589	1950	750	225	795	715	6	28			
	200	160	620	75	670	500	2167	180	614.5	2000	750	250	795	715	6	28			
220	160	620	100	670	500	2506	180	666	2150	800	275	830	750	6	28				
260	160	620	125	670	500	2656	180	666	2200	800	300	830	750	6	28				
250	200	SH4-250X200L	37	180	583	85	670	450	1670	4	432	1550	1000	275	680	600	4	28	
		SH4-250X200M	55	180	583	35	885	450	1951.5	4	463.5	1850	700	225	680	600	6	28	
		SH4-250X200A	30	180	535	85	670	450	1559	4	370.5	1500	950	275	710	630	4	28	
			37	180	535	85	670	450	1652	4	425.5	1550	1000	275	710	630	4	28	
			45	180	535	85	670	450	1652	4	425.5	1550	1000	275	710	630	4	28	
			55	180	535	85	670	450	1665	4	432	1550	1000	275	710	630	4	28	
			75	180	535	110	670	450	1739	4	463.5	1600	1000	300	710	630	4	28	
			90	180	535	110	670	450	1777	4	463.5	1600	1000	300	710	630	4	28	
			110	180	535	60	670	450	2041	4	544	1900	700	250	740	660	6	28	
			132	180	535	35	670	450	2092	4	569.5	1950	750	225	740	660	6	28	

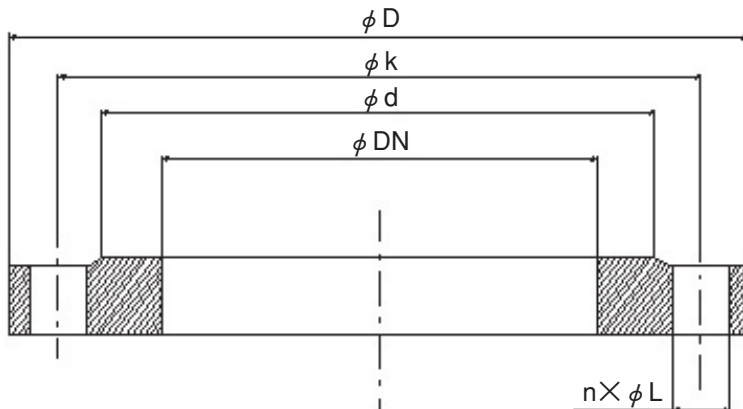
# Dimensions



## SH4 Dimension Table

Size		Pump Model	Output (kw)	Dimensions															
øC1	øC2			A	D	F	f	H2	L	Q	MR	BL	BM	BN	BP	BX	N3	h3	
250	200	SH4-250X200B	75	160	575	110	670	500	1719	4	463.5	1600	1000	300	710	630	4	28	
			90	160	575	110	670	500	1757	4	463.5	1600	1000	300	710	630	4	28	
			110	160	575	60	670	500	2021	180	544	1900	700	250	740	660	6	28	
			132	160	575	35	670	500	2072	180	569.5	1950	750	225	740	660	6	28	
			160	160	575	35	670	500	2116	180	589	1950	750	225	795	715	6	28	
			200	160	575	60	670	500	2167	180	614.5	2000	750	250	795	715	6	28	
		SH4-250X200C	220	160	575	85	670	500	2506	180	666	2150	800	275	830	750	6	28	
			260	160	575	110	670	500	2656	180	666	2200	800	300	830	750	6	28	
			132	225	674	35	885	580	2439	4	614.5	2150	800	275	860	780	6	28	
			160	225	674	35	885	580	2440	5	614.5	2150	800	275	860	780	6	28	
300	250	SH4-300X250A	200	225	674	35	885	580	2440	5	614.5	2150	800	275	860	780	6	28	
			220	225	699	35	885	580	2685	5	744	2350	900	275	860	780	6	28	
			250	225	699	35	885	580	2685	5	744	2350	900	275	860	780	6	28	
		SH4-300X250B	75	225	673	15	885	560	2034.5	4	482.5	1850	700	225	730	650	4	28	
			90	225	673	60	670	500	1819.5	4	482.5	1650	1000	325	790	710	4	28	
			110	225	673	35	670	500	1971	4	544	1700	700	150	790	710	6	28	
			132	225	673	35	670	500	1971	4	569.5	1750	700	175	790	710	6	28	
		SH4-300X250C	160	225	774	50	885	560	2439	4	614.5	2150	800	275	840	760	6	28	
			200	225	774	50	885	560	2439	4	614.5	2150	800	275	840	760	6	28	
			220	225	774	50	885	560	2685	5	744	2350	900	275	880	800	6	28	
			250	225	774	50	885	560	2685	5	744	2350	900	275	880	800	6	28	
			200	225	774	30	885	630	2459	4	614.5	2150	800	275	860	780	6	28	
		SH4-300X250D	220	225	774	30	885	630	2705	5	744	2350	900	275	920	840	6	28	
			280	225	774	30	885	630	2665	5	744	2350	900	275	920	840	6	28	
315	225		774	30	885	630	2705	5	744	2350	900	275	920	840	6	28			
355	225		774	30	885	630	2665	5	744	2350	900	275	920	840	6	28			

## Flange Dimension

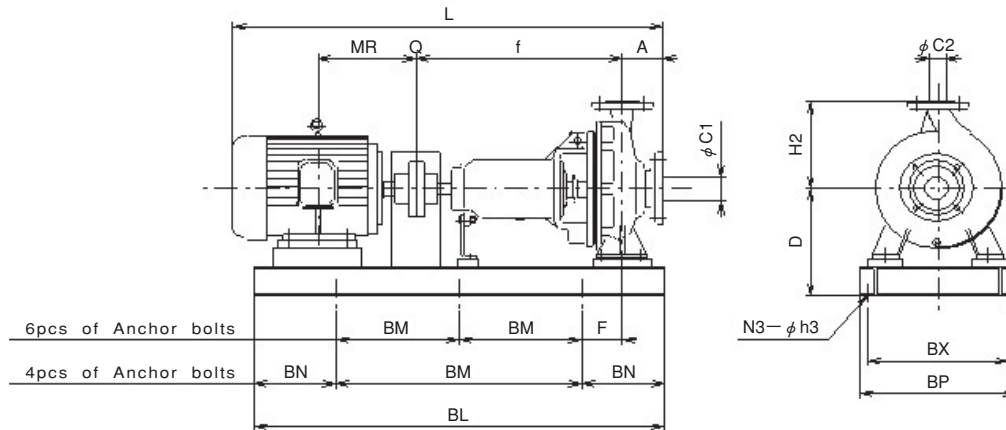


No.	DN	d	k	D	n x øL
1	32	76	100	140	4xø18
2	40	84	110	150	4xø18
3	50	99	125	165	4xø18
4	65	118	145	185	4xø18
5	80	132	160	200	8xø18
6	100	156	180	220	8xø18
7	125	184	210	250	8xø18
8	150	211	240	285	8xø18
9	200	266	295	340	12xø22
10	250	319	355	405	12xø26
11	300	370	410	460	12xø26

Flange Rating: ISO 7005.1-1992



## Dimensions



## SH Dimension Table

Size	Pump Model	Output (Kw)	Dimensions															
			A	D	F	f	H2	L	Q	MR	BL	BM	BN	BP	BX	N3	h3	
50	SH-50X32A	3.7	80	225	60	385	160	850	3	200	850	550	150	300	265	4	15	
		5.5	80	225	60	385	160	914	3	239	900	600	150	330	295	4	15	
		7.5	80	225	60	385	160	914	3	239	900	600	150	330	295	4	15	
		11	80	225	110	385	160	1072	3	323	1000	600	100	380	345	4	15	
	SH-50X32B	5.5	80	255	60	385	180	914	3	239	900	600	150	330	295	4	15	
		7.5	80	255	60	385	180	914	3	239	900	600	150	330	295	4	15	
		11	80	255	110	385	180	1072	3	323	1000	600	200	380	343	4	15	
		15	80	255	110	385	180	1072	3	323	1000	600	200	380	343	4	15	
65	SH-65X50A	3.7	80	225	60	385	160	850	3	200	850	550	150	300	265	4	15	
		5.5	80	225	60	385	160	914	3	239	900	600	150	330	295	4	15	
		7.5	80	225	60	385	160	914	3	239	900	600	150	330	295	4	15	
		11	80	225	110	385	160	1072	3	323	1000	600	200	380	343	4	15	
		15	80	225	110	385	160	1072	3	323	1000	600	200	380	343	4	15	
	SH-65X40A	5.5	100	255	60	385	180	934	3	239	900	600	150	325	290	4	15	
		7.5	100	255	60	385	180	934	3	239	900	600	150	325	290	4	15	
		11	100	255	110	385	180	1092	3	323	1000	600	200	380	345	4	15	
		15	100	255	110	385	180	1092	3	323	1000	600	200	380	345	4	15	
		18.5	100	255	110	385	180	1136	3	345	1050	650	200	380	343	4	15	
		22	100	255	110	385	180	1136	3	351.5	1050	650	200	435	400	4	15	
		SH-65X40B	11	100	275	97.5	500	225	1207	3	323	1150	750	200	380	345	4	15
			15	100	275	97.5	500	225	1207	3	323	1150	750	200	380	345	4	15
			18.5	100	275	97.5	500	225	1251	3	345	1200	800	200	380	345	4	15
			22	100	275	97.5	500	225	1270	3	351.5	1200	800	200	435	400	4	15
			30	100	300	97.5	500	225	1308	3	370.5	1200	800	200	435	415	4	19
			37	100	325	97.5	500	225	1371	3	395.5	1250	850	200	530	470	4	24
		SH-65X40C	45	100	325	97.5	500	225	1371	3	395.5	1250	850	200	530	470	4	24
22	125		295	97.5	500	250	1295	3	351.5	1200	800	200	435	400	4	15		
30	125		320	97.5	500	250	1333	3	370.5	1200	800	200	455	415	4	19		
37	125		345	97.5	500	250	1396	3	395.5	1250	850	200	530	470	4	24		
45	125		345	97.5	500	250	1396	3	395.5	1250	850	200	530	470	4	24		
55	125		339	85	500	250	1511.5	4	463.5	1300	900	200	550	515	4	15		
75	125		339	110	500	250	1549.5	4	482.5	1350	900	225	550	515	4	15		
80	SH-80X65A	5.5	100	280	60	385	180	934	3	239	900	600	150	325	285	4	19	
		7.5	100	280	60	385	180	934	3	239	900	600	150	325	285	4	19	
		11	100	280	110	385	180	1092	3	323	1000	600	200	400	360	4	19	
		15	100	280	110	385	180	1092	3	323	1000	600	200	400	360	4	19	
		18.5	100	280	110	385	180	1136	3	345	1050	650	200	400	360	4	19	
80	SH-80X50A	22	100	280	110	385	180	1155	3	351.5	1050	650	200	455	415	4	19	
		11	100	280	110	385	200	1092	3	323	1000	600	200	400	360	4	19	
		15	100	280	110	385	200	1092	3	323	1000	600	200	400	360	4	19	
		18.5	100	280	110	385	200	1136	3	345	1050	650	200	400	360	4	19	
		22	100	280	110	385	200	1155	3	351.5	1050	650	200	455	415	4	19	
30	100	280	110	385	200	1193	3	370.5	1100	700	200	455	415	4	19			
37	100	305	110	385	200	1256	3	395.5	1150	750	200	530	470	4	24			

## SH Dimension Table

Size		Pump Model	Output (Kw)	Dimensions														
øC1	øC2			A	D	F	f	H2	L	Q	MR	BL	BM	BN	BP	BX	N3	h3
80	50	SH-80X50B	22	125	300	97.5	500	225	1295	3	351.5	1200	800	200	455	415	4	19
			30	125	300	97.5	500	225	1333	3	370.5	1200	800	200	455	415	4	19
			37	125	325	97.5	500	225	1396	3	395.5	1250	850	200	530	470	4	24
			45	125	325	97.5	500	225	1396	3	395.5	1250	850	200	530	470	4	24
			55	125	350	97.5	500	225	1410	4	402	1250	850	200	600	530	4	28
			75	125	420	97.5	500	225	1484	4	433.5	1300	900	200	650	580	4	28
	50	SH-80X50C	30	125	345	97.5	500	280	1333	3	370.5	1200	800	200	455	415	4	19
			37	125	370	97.5	500	280	1396	3	395.5	1250	850	200	530	470	4	24
			45	125	370	97.5	500	280	1396	3	395.5	1250	850	200	530	470	4	24
			55	125	395	97.5	500	280	1410	4	402	1250	850	200	600	530	4	28
			75	125	395	97.5	500	280	1484	4	433	1300	900	200	650	580	4	28
			90	125	398	145	500	280	1621	4	514	1400	900	250	620	580	4	19
100	80	SH-100X80A	11	100	280	87.5	500	200	1207	3	323	1150	750	200	400	360	4	19
			15	100	280	87.5	500	200	1207	3	323	1150	750	200	400	360	4	19
			18.5	100	280	87.5	500	200	1251	3	345	1200	800	200	400	360	4	19
			22	100	280	87.5	500	200	1270	3	351.5	1200	800	200	455	415	4	19
			30	100	280	87.5	500	200	1308	3	370.5	1250	850	200	455	415	4	19
			37	100	305	87.5	500	200	1371	3	395.5	1250	850	200	530	470	4	24
	65	SH-100X65A	18.5	100	300	87.5	500	225	1251	3	345	1200	800	200	400	360	4	19
			22	100	300	87.5	500	225	1270	3	351.5	1200	800	200	455	415	4	19
			30	100	300	87.5	500	225	1308	3	370.5	1250	850	200	455	415	4	19
			37	100	325	87.5	500	225	1371	3	395.5	1250	850	200	530	470	4	24
			45	100	325	87.5	500	225	1371	3	395.5	1250	850	200	530	470	4	24
			55	100	350	87.5	500	225	1385	4	402	1250	850	200	600	530	4	28
100	65	SH-100X65B	30	125	320	70	500	250	1333	3	370.5	1250	850	200	440	400	4	19
			37	125	345	70	500	250	1396	3	395.5	1300	900	200	530	470	4	24
			45	125	345	70	500	250	1396	3	395.5	1300	900	200	530	470	4	24
			55	125	370	70	500	250	1410	4	402	1300	900	200	600	530	4	28
			75	125	370	95	500	250	1484	4	433.5	1350	900	225	650	580	4	28
			90	125	370	95	500	250	1522	4	433.5	1350	900	225	650	580	4	28
	65	SH-100X65C	110	125	450	125	500	250	1580	4	484	1450	950	250	710	640	4	28
			55	125	395	70	530	280	1440	4	402	1300	900	200	600	530	4	28
			75	125	395	95	530	280	1514	4	433.5	1350	900	225	650	580	4	28
			90	125	395	120	530	280	1552	4	433.5	1400	900	250	650	580	4	28
			110	125	395	120	530	280	1610	4	484.0	1450	950	250	710	640	4	28
			132	125	433	150	530	280	1745	4	559.0	1500	950	275	695	655	4	19
125	100	SH-125X100A	200	125	433	200	530	280	1984	4	640	1700	700	150	695	655	6	19
			30	125	345	60	500	280	1333	3	370	1250	850	200	470	410	4	24
			37	125	345	60	500	280	1396	3	395.5	1300	900	200	530	470	4	24
			45	125	345	60	500	280	1396	3	395.5	1300	900	200	530	470	4	24
			55	125	370	60	500	280	1410	4	402	1300	900	200	600	530	4	28
			75	125	370	85	500	280	1484	4	433.5	1350	900	225	650	580	4	28
	100	SH-125X100B	90	125	370	85	500	280	1522	4	433.5	1350	900	225	650	580	4	28
			110	125	450	125	500	280	1580	4	484	1450	950	250	710	640	4	28
			55	140	395	85	530	280	1455	4	402	1350	900	225	600	530	4	28
			75	140	395	110	530	280	1529	4	433.5	1400	900	250	650	580	4	28
			90	140	395	110	530	280	1567	4	433.5	1400	900	250	650	580	4	28
			110	140	395	135	530	280	1625	4	484	1500	950	275	710	640	4	28
100	SH-125X100C	132	140	395	10	530	280	1676	4	510	1550	625	150	710	640	6	28	
		160	140	535	10	530	280	1720	4	529	1550	625	150	795	715	6	28	
		200	140	535	10	530	280	1771	4	555	1600	650	150	795	715	6	28	
		90	140	420	110	530	315	1567	4	433.5	1400	900	250	650	580	4	28	
		110	140	420	135	530	315	1625	4	484	1500	950	275	710	640	4	28	
		132	140	420	10	530	315	1676	4	509.5	1550	625	150	710	640	6	28	
100	SH-125X100C	160	140	470	10	530	315	1746	4	529.0	1550	625	150	795	715	6	28	
		200	140	458	10	530	315	1999	4	640.0	1700	700	150	730	670	6	24	
		250	140	498	85	530	315	2244	4	744.0	1850	700	225	820	760	6	24	
		280	140	498	110	530	315	2244	4	779	1900	700	250	820	760	6	24	

# TERAL

## Pumps and Fans



In-line Pumps



Horizontal Centrifugal Pumps



Freshwater & Sewage Submersible Pumps



Water Supply Units



Coolant Pumps



Ring Blowers



Industrial Fans

### TERAL ASIA LIMITED

Room 1001, 10/F., Olympia Plaza, 255 King's Road, North Point, Hong Kong Tel: +852-2571-0282 Fax: +852 2571-0619 E-mail: sales@teralasia.com

### TERAL THAI CO., LTD.

#### TERAL TRADING & SERVICE CO., LTD.

150 Moo 16 Udomsorayuth Rd., T.Bangkrasan, A.Bangpa-In, Ayutthaya 13160 Thailand Tel: +66-3525-8543 Fax: +66-3525-849

#### TERAL GENERAL MACHINE (SHANGHAI) CO., LTD.

No. 285, Yuan Qu Road (N), Bei Qiao, Min Hang District, Shanghai 201109, China Tel: +86-21-6490-9128 Fax: +86-21-6490-9126

#### Affiliated Sister Company: Atai Fuji Motor Co., Ltd. (Ring Blowers & Coolant Pumps)

No. 32, Sec 2, Chang-Hsing Rd., Lu-Chu Hsiang, Taoyuan Hsien, Taiwan, R.O.C. Tel: +886-3-321-3030 Fax: +886-3-321-7890

#### TERAL MALAYSIA SDN BHD

L-1-1, Block L, No. 2 Jalan PJU 1A/41B, Pusat Dagangan NZX, Ara Jaya, 47301 Petaling Jaya, Selangor, D.E., Malaysia  
Tel: +60-3-7885-8305 Fax: +60-3-7887-3305 E-mail: sales.my@teralasia.com

#### Terl Middle East F.Z.C.

E1-1921C, Ajman Free Zone, Ajman, UAE Tel: 00971 (0)551184953 Email: sales.me@teralasia.com

#### Terl Pumps & Fans North America Ltd.

2380 United Blvd, Coquitlam, B.C. CANADA V3K 6A3 Tel: +1-(604)-839-1008 Email: salesamerica@teralasia.com

#### TERAL INC.

Head Office - 230, Moriwaki, Miyuki-cho, Fukuyama-city, Hiroshima, 720-0003, Japan Tel: +81-84-955-1111 Fax: +81-84-955-5777  
Tokyo Office - TERAL Koraku Bldg., 2-3-27, Koraku, Bunkyo-ku, Tokyo, 112-0004, Japan Tel: +81-3-3818-6890 Fax: +81-3-3818-6790  
(Edition Date: Oct. 2014 by Teral Asia Limited)

[www.teral.net](http://www.teral.net)